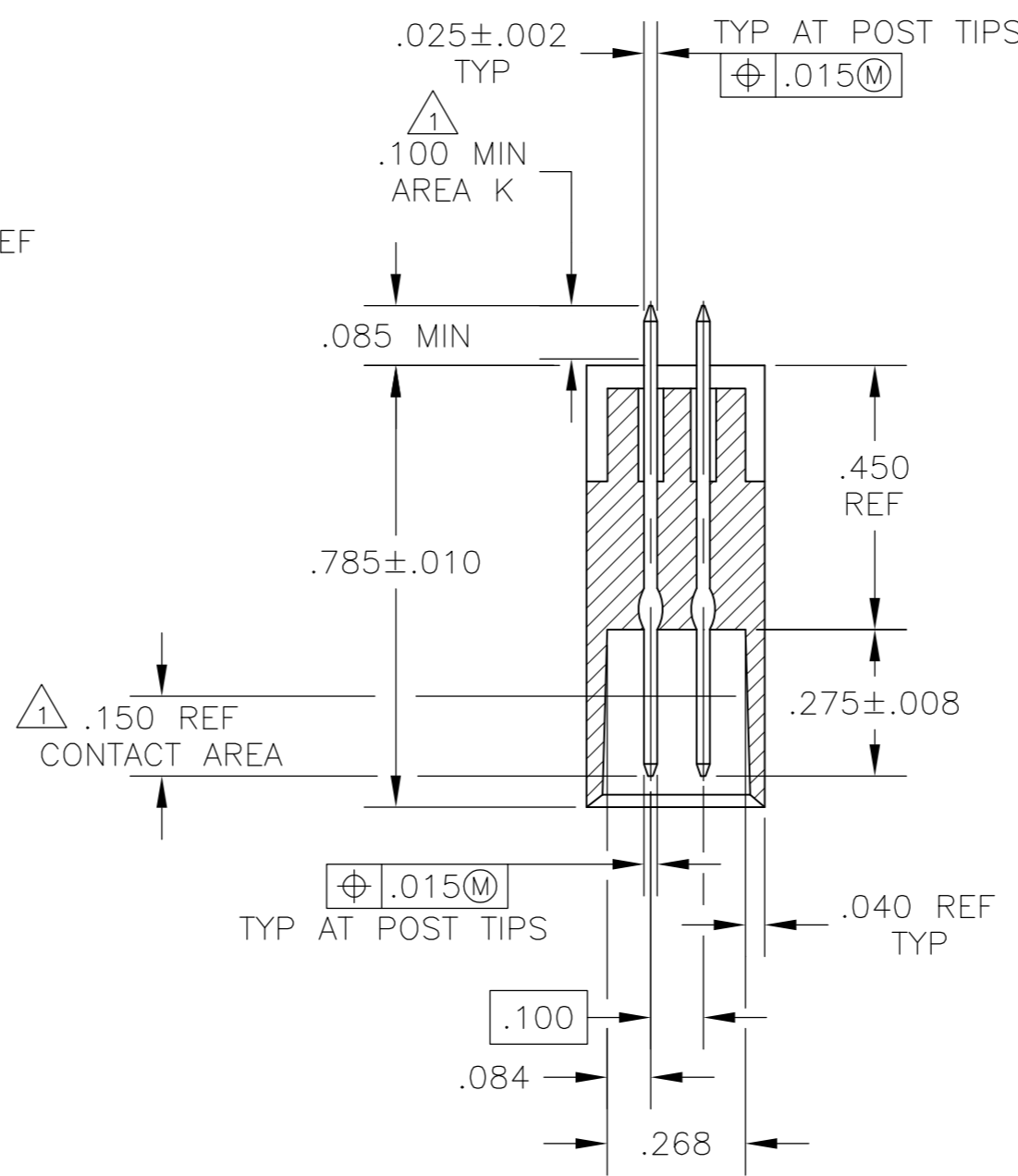
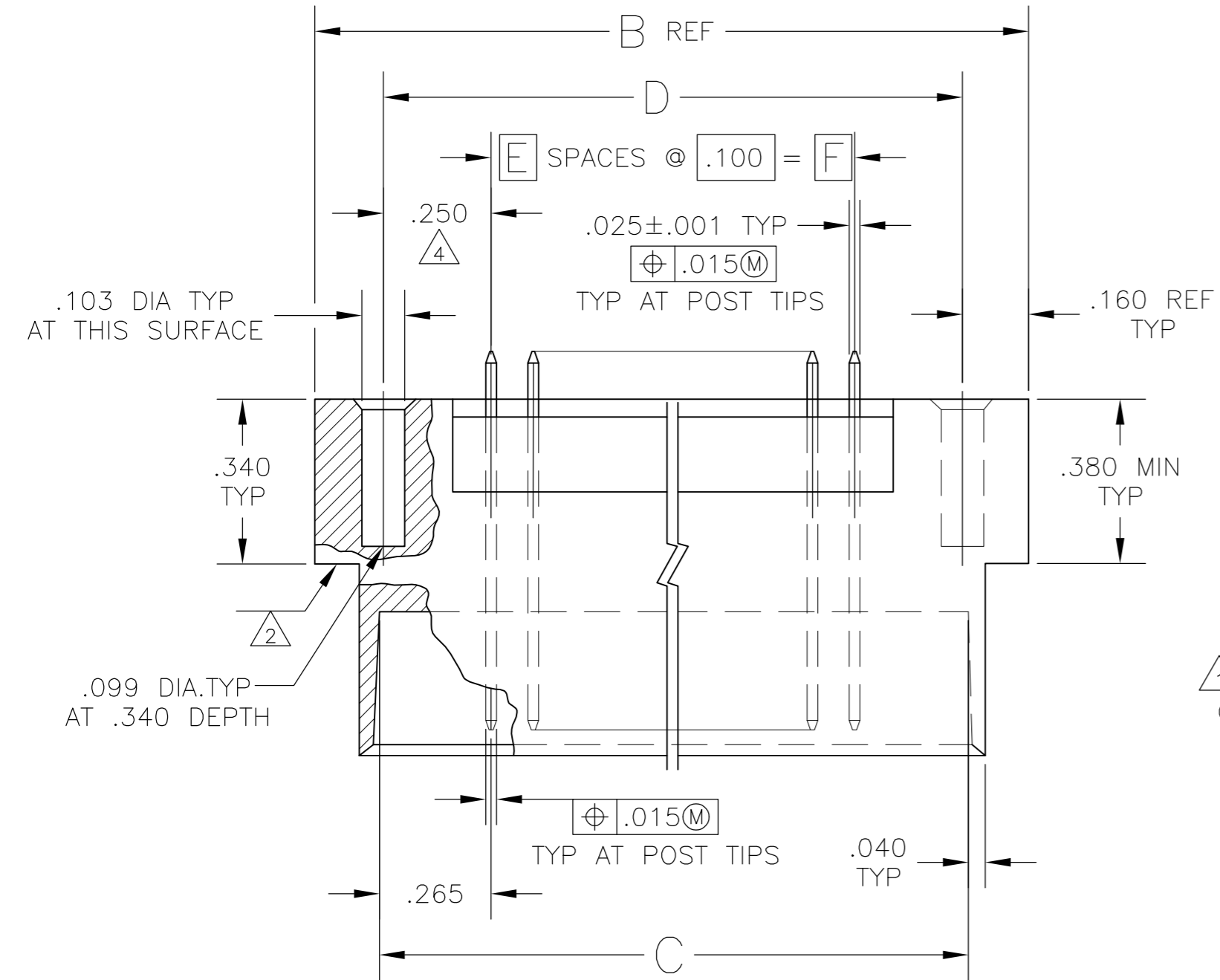
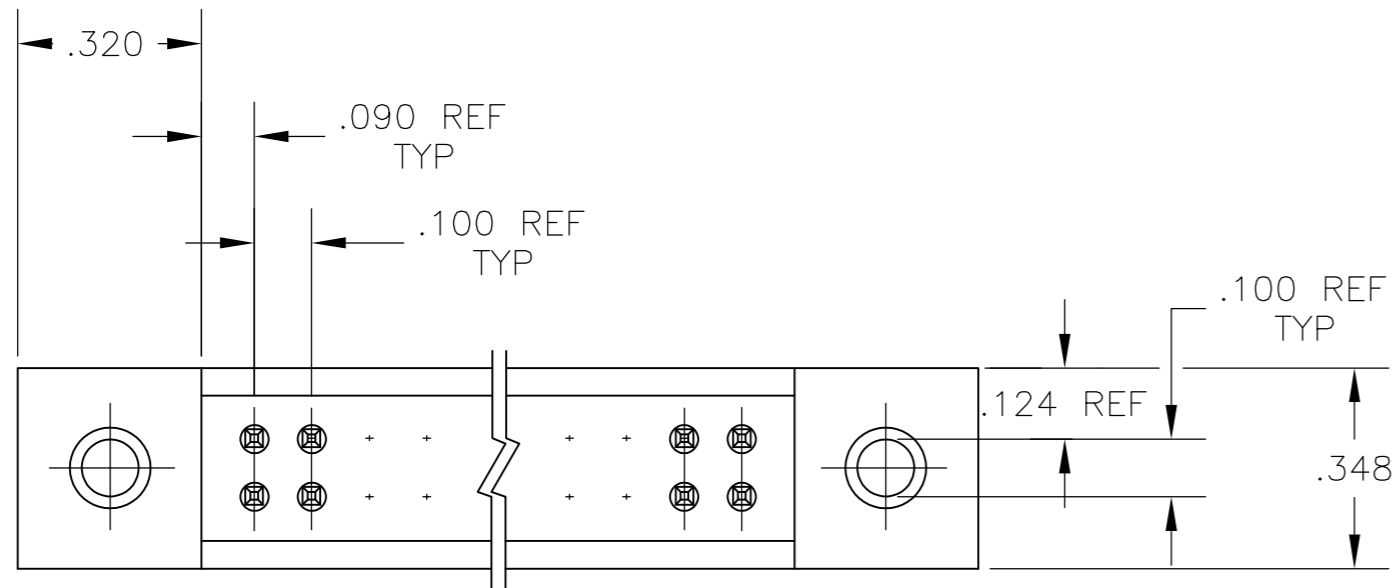


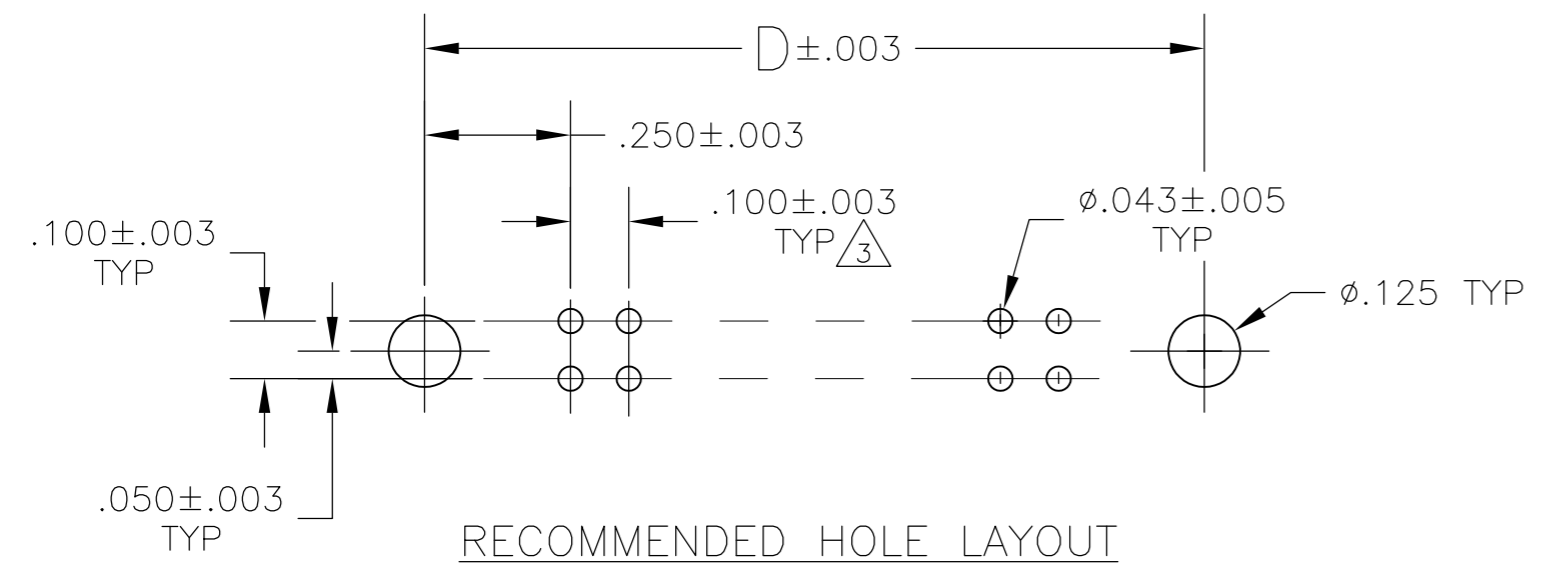
THIS DRAWING IS UNPUBLISHED. RELEASED FOR PUBLICATION
 © COPYRIGHT BY TYCO ELECTRONICS CORPORATION. ALL RIGHTS RESERVED.

LOC		DIST		REVISIONS			
P	LTR	DESCRIPTION	DATE	DWN	APVD		
	G	EC 0G3C 0216 05	28DEC05	BSV	JLG		



TYPICAL SECTION THRU CAVITY

- 1 .000015 MIN GOLD IN CONTACT AREA, .000100-.000200 MATTE TIN-LEAD IN AREA K ALL OVER .000050 MIN NICKEL.
- 2 "AMP" TRADEMARK SHALL BE ON PART.
- 3 TOLERANCE NON-CUMMULATIVE.
- 4 DIMENSION APPLIES AT BASE OF HOUSING.
- 5 .000015 MIN GOLD IN CONTACT AREA, .000100-.000200 MATTE TIN IN AREA K ALL OVER .000050 MIN NICKEL.



RECOMMENDED HOLE LAYOUT

5	1.900	19	2.400	2.430	2.720	40	5-102871-2
5	2.500	25	3.000	3.030	3.320	52	5-102871-1
1	1.900	19	2.400	2.430	2.720	40	102871-2
1	2.500	25	3.000	3.030	3.320	52	102871-1
FINISH	F	E	D	C	B	NO OF POSN	PART NO

THIS DRAWING IS A CONTROLLED DOCUMENT. DWN 15 DEC 81

tyco Tyco Electronics Corporation
Electronics Harrisburg, Pa 17105-3608

DIMENSIONS: INCHES TOLERANCES UNLESS OTHERWISE SPECIFIED:

0 PLC	± -
1 PLC	± -
2 PLC	± -
3 PLC	± .005
4 PLC	± -
ANGLES	± 0° 30'

FINISH: SEE TABLE

PRODUCT SPEC: -
 APPLICATION SPEC: -
 WEIGHT: -

NAME: HEADER ASSEMBLY, MOD II, .025 SQ POST, .100 X .100 C/L, DBL ROW

SIZE: A2 CAGE CODE: 00779 DRAWING NO: 102871 RESTRICTED TO: -

CUSTOMER DRAWING SCALE: 1:1 SHEET: 1 OF 1 REV: G